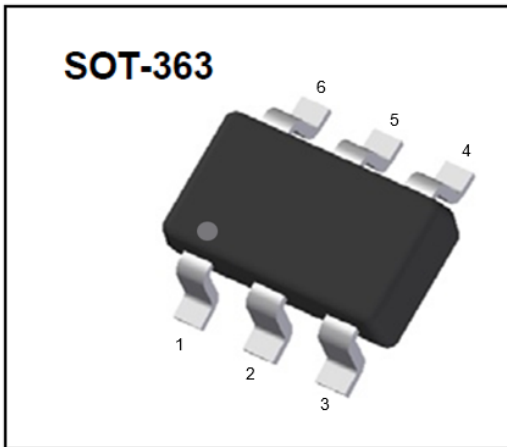


Schottky Barrier Diodes



Features

- We declare that the material of product compliance with RoHS requirements and Halogen Free
- Surface mount package ideally suited for automatic Insertion
- Moisture Sensitivity Level 1
- Reverse voltage: 70 V
- Average forward current : 70mA

Application

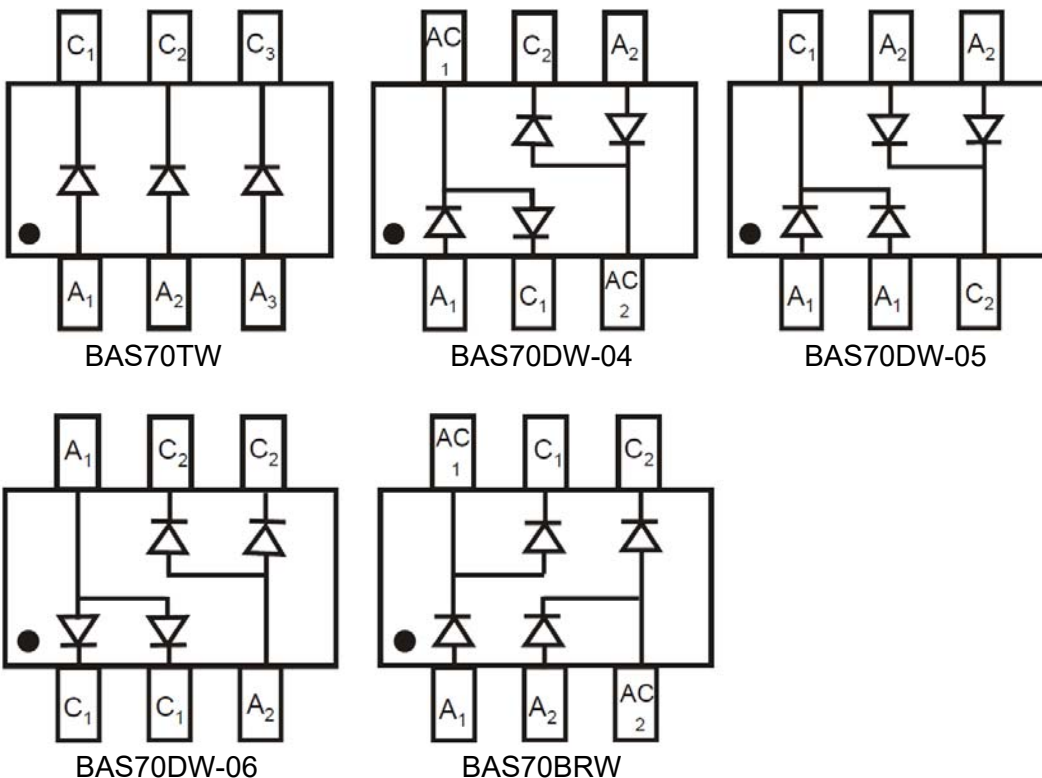
- Fast switching
- Low leakage current
- Low junction capacitance

Mechanical Data

- Package: SOT-363
- Terminals: Tin plated leads, solderable per J-STD-002 and JESD22-B102
- Marking:

BAS70TW	K73
BAS70DW-04	K74
BAS70DW-05	K71
BAS70DW-06	K76
BAS70BRW	K75

Equivalent circuit





BAS70TW THRU BAS70BRW

■ Maximum Ratings (Ta=25°C Unless otherwise specified)

PARAMETER	SYMBOL	UNIT	Conditions	VALUE
Repetitive peak reverse voltage	V_{RRM}	V		70
Reverse voltage	V_R	V		70
Average forward current	I_{FAV}	mA		70
Non-repetitive peak forward surge current	I_{FSM}	A	$t_p \leq 10ms$	0.1
Power dissipation	P_D	mW		200
Thermal Resistance Junction to Ambient Air	$R_{\theta JA}$	°C/W		500
Maximum junction temperature	T_j	°C		-55 ~+125
Storage temperature range	T_{stg}	°C		-55 ~+125

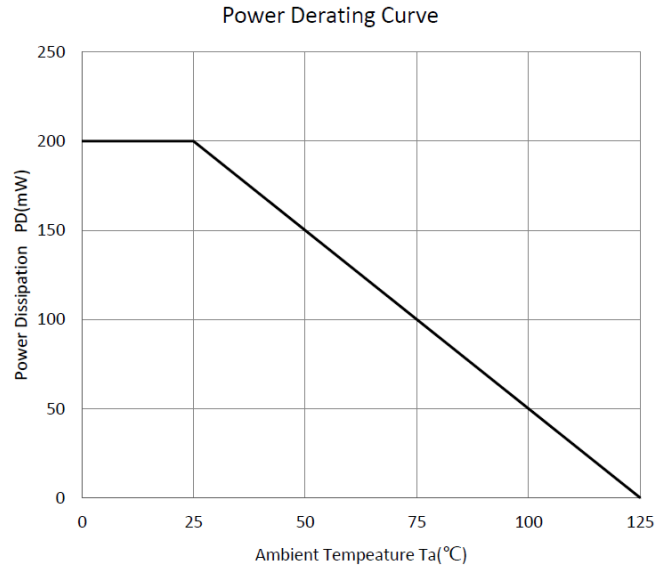
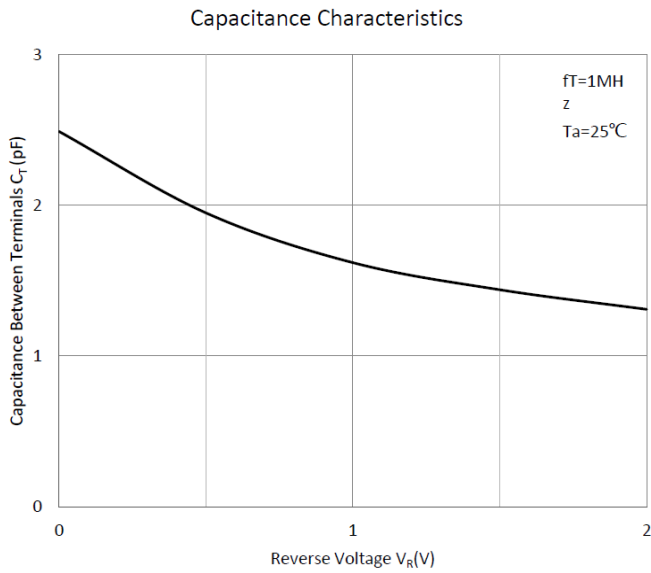
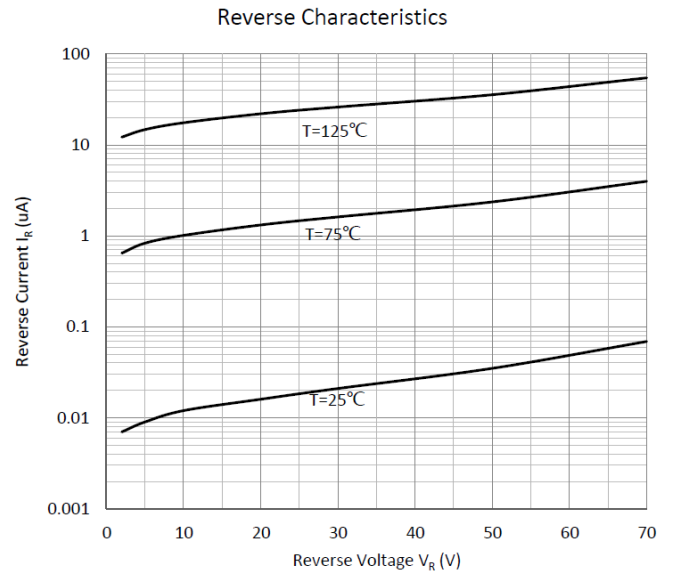
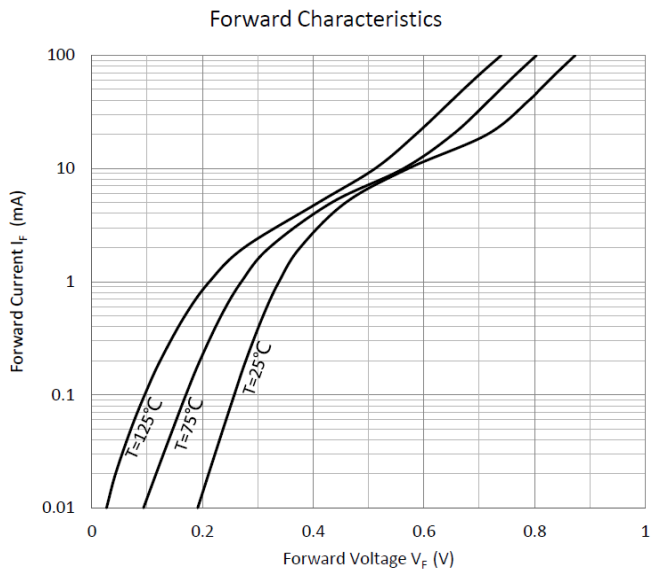
■ Electrical Characteristics (Ta=25°C unless otherwise specified)

PARAMETER	Symbol	UNIT	Conditions	Min	Max
Breakdown Voltage	V_R	V	$I_R=10\mu A$	70	
Forward Voltage	V_F	V	$I_F=1mA$		0.41
			$I_F=15mA$		1
Reverse Leakage Current	I_R	μA	$V_R=50V$		0.1
Capacitance	C_j	pF	$V_R=1V, f=1MHz$		2
Reverse Recovery Time	T_{RR}	ns	$I_F=I_R=10mA, I_{rr}=1mA$		5



BAS70TW THRU BAS70BRW

■ Electrical Characteristics (Typical)



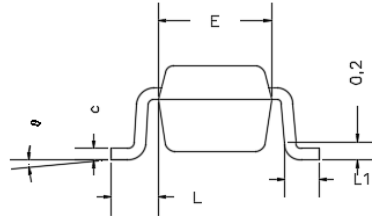
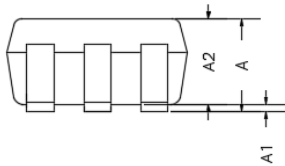
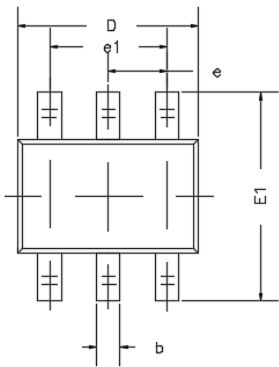


BAS70TW THRU BAS70BRW

Ordering Information (Example)

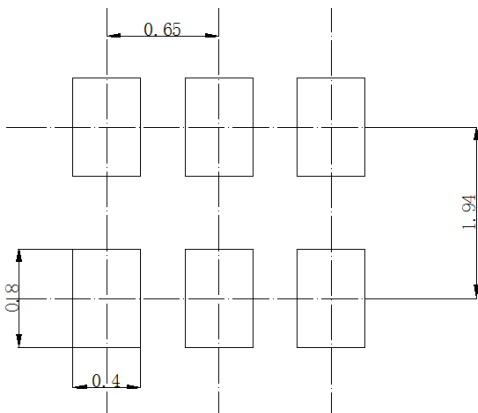
PREFERED P/N	PACKING CODE	UNIT WEIGHT(g)	MINIMUM PACKAGE(pcs)	INNER BOX QUANTITY(pcs)	OUTER CARTON QUANTITY(pcs)	DELIVERY MODE
BAS70TW	F2	Approximate 0.009g	3000	30000	120000	7" reel
BAS70DW-04	F2	Approximate 0.009g	3000	30000	120000	7" reel
BAS70DW-05	F2	Approximate 0.009g	3000	30000	120000	7" reel
BAS70DW-06	F2	Approximate 0.009g	3000	30000	120000	7" reel
BAS70BRW	F2	Approximate 0.009g	3000	30000	120000	7" reel

SOT-363 Package Outline Dimensions



DIM	DIMENSIONS			
	INCHES		MM	
	MIN	MAX	MIN	MAX
A	0.035	0.043	0.900	1.100
A1	0.000	0.004	0.000	0.100
A2	0.035	0.039	0.900	1.000
b	0.006	0.014	0.150	0.350
c	0.002	0.010	0.050	0.250
D	0.071	0.087	1.800	2.200
E	0.045	0.053	1.150	1.350
E1	0.085	0.096	2.150	2.450
e	0.026TYP		0.65TYP	
e1	0.047	0.055	1.200	1.400
L	0.021TYP		0.525TYP	
L1	0.010	0.018	0.260	0.460
φ	0°	8°	0°	8°

SOT-363 Soldering Footprint



Unit: mm



BAS70TW THRU BAS70BRW

Disclaimer

The information presented in this document is for reference only. Yangzhou Yangjie Electronic Technology Co., Ltd. reserves the right to make changes without notice for the specification of the products displayed herein to improve reliability, function or design or otherwise.

The product listed herein is designed to be used with ordinary electronic equipment or devices, and not designed to be used with equipment or devices which require high level of reliability and the malfunction of which would directly endanger human life (such as medical instruments, transportation equipment, aerospace machinery, nuclear-reactor controllers, fuel controllers and other safety devices), Yangjie or anyone on its behalf, assumes no responsibility or liability for any damages resulting from such improper use of sale.

This publication supersedes & replaces all information previously supplied. For additional information, please visit our website [http:// www.21yangjie.com](http://www.21yangjie.com) , or consult your nearest Yangjie's sales office for further assistance.